

B-CAN

Digital Interface Control System

INTELLIGENT COMPRESSOR CONTROL SYSTEM



THE SMART AND SAFE WAY TO RUN YOUR UNDERDECK SYSTEM

more air solutions at
BOSSair.com

BOSS[®]
engineered **AIR** systems



INNOVATIVE AND INTELLIGENT DESIGN

The BOSS® B-CAN is a compact, strategically designed digital interface system that allows you to control our underdeck rotary screw air compressor and other equipment. With over 7 years of proven in-field history, the B-CAN utilizes the SAE J1939 Standard which allows us to incorporate our complete functionality of the rotary screw compressor, hydraulics and generator options. Our innovative communication protocol integrates perfectly with most OEM communication channels. Even better, the BOSS developed proprietary "Smart Technology" software learns your behaviors and responds accordingly!

PLUG AND GO INSTALLATION

Ease of installation means less time and more money in your pocket! With our Plug-and-Go wiring system, in typical applications, there is a 6 - 8 hour installation time savings when compared to the competition. No more complicated wiring harnesses, no more guess work. Simple, easy and reliable.

OVER 7 YEARS OF PROVEN IN-FIELD HISTORY!

B-CAN Displays the following:

- Compressor Status
- Compressor Pressure
- Compressor Temperature
- Hour Meter
- Information Screen
- Service Menu
- Active Shutdowns
- Shutdown Summary

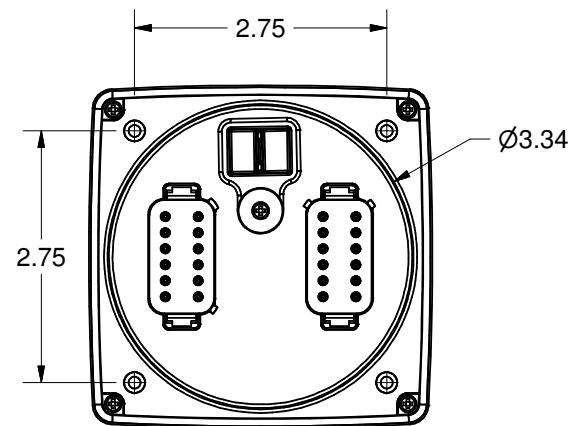
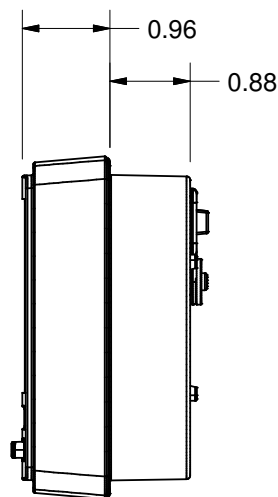
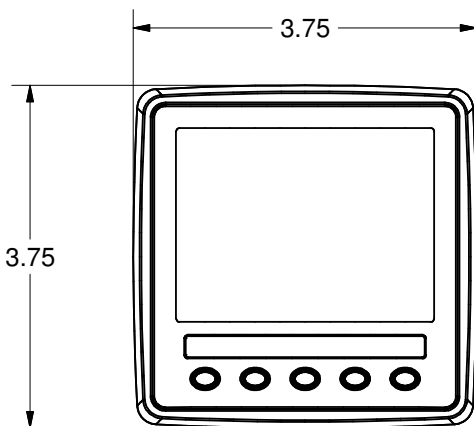
B-CAN Button Labels

- Engage Compressor
- Stop Compressor
- Warning
- Menu
- Engage HYD (Option)
- Switch to High Press. (Option)

COMPACT. DURABLE. WATER RESISTANT.

The BOSS B-CAN is a remote compressor control system featuring a 3.5 inch fully sunlight viewable screen that is menu based for operation, service and diagnostic information. Our B-CAN has a rugged IP67 rating with fully seated Deutsch electrical connectors for a tight weather proof resistant protection all wrapped in a tough polycarbonate case.

The B-CAN is delivered pre-programmed for your truck and compressor system combination. All updates are done via a USB connection. Just download the update to a USB, and upload to the BOSS B-CAN. Simple, Easy, Effective.



DISTRIBUTED BY:



BOSS INDUSTRIES, LLC.

1761 Genesis Drive La Porte, IN 46350

Voice: (219) 324-7776 • (800) 635-6587 • Fax: (219) 324-7470

Electronic: www.bossair.com • email: sales@bossair.com

Specifications subject to change without notice.

©2019 Boss Industries, LLC. Printed In U.S.A. B-CAN. 500. 021119. BI