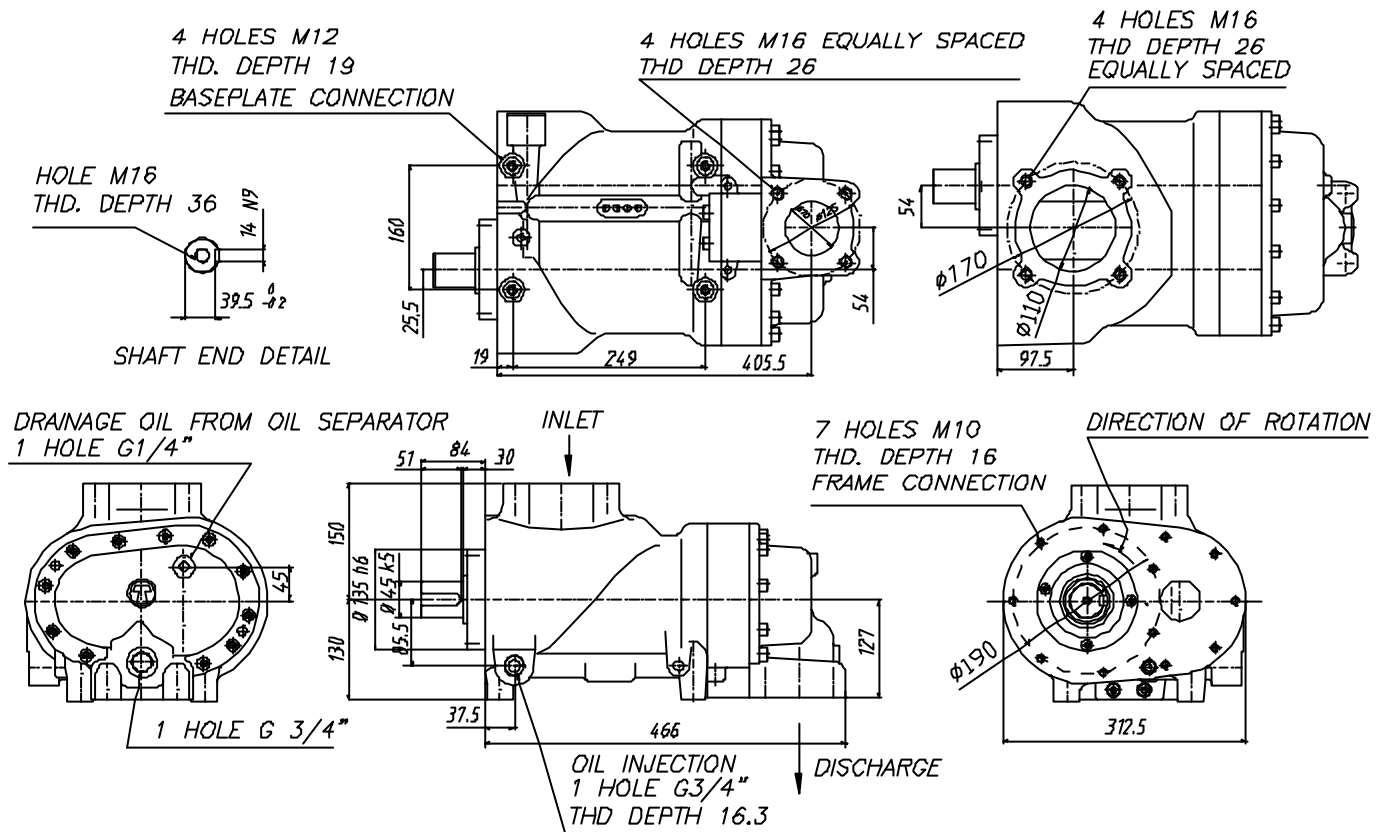
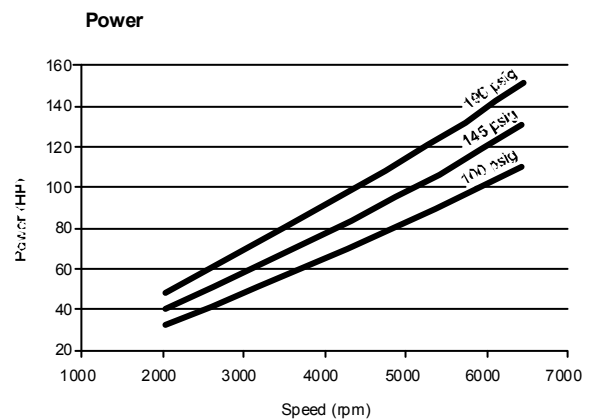
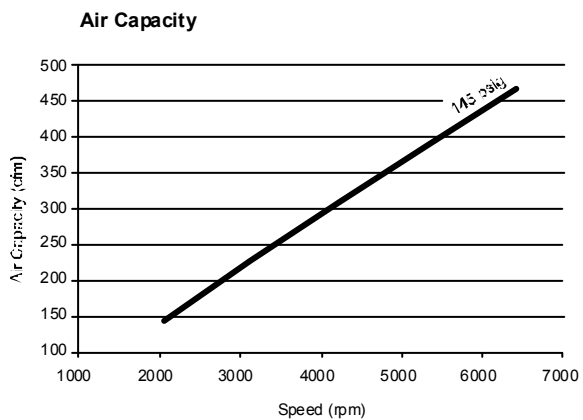
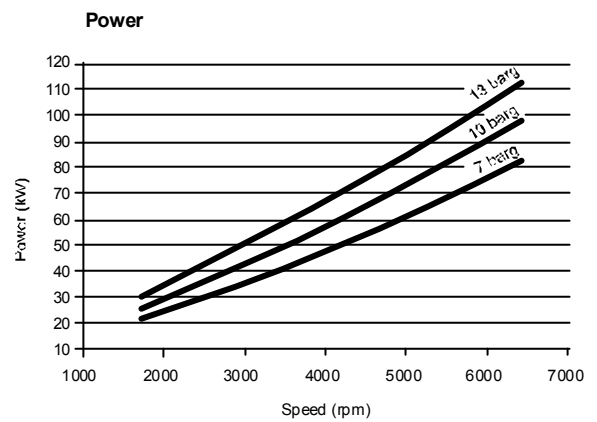
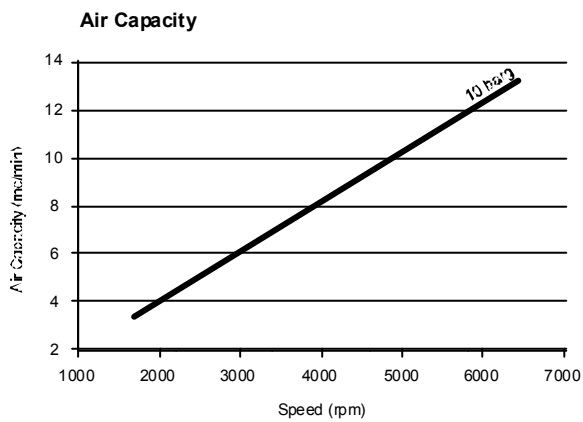


SCA14D-R

Outside view drawing



Data Tables



Drive: Male
 Lobe combination: 5/6
 Male rotor size: 147,3 mm
 Female rotor size: 122,6 mm
 L/D: 1,70

Working pressure: min 3 barg/40 psig – max 15 barg/220 psig
 Weight: 108 Kg – 238 lbs