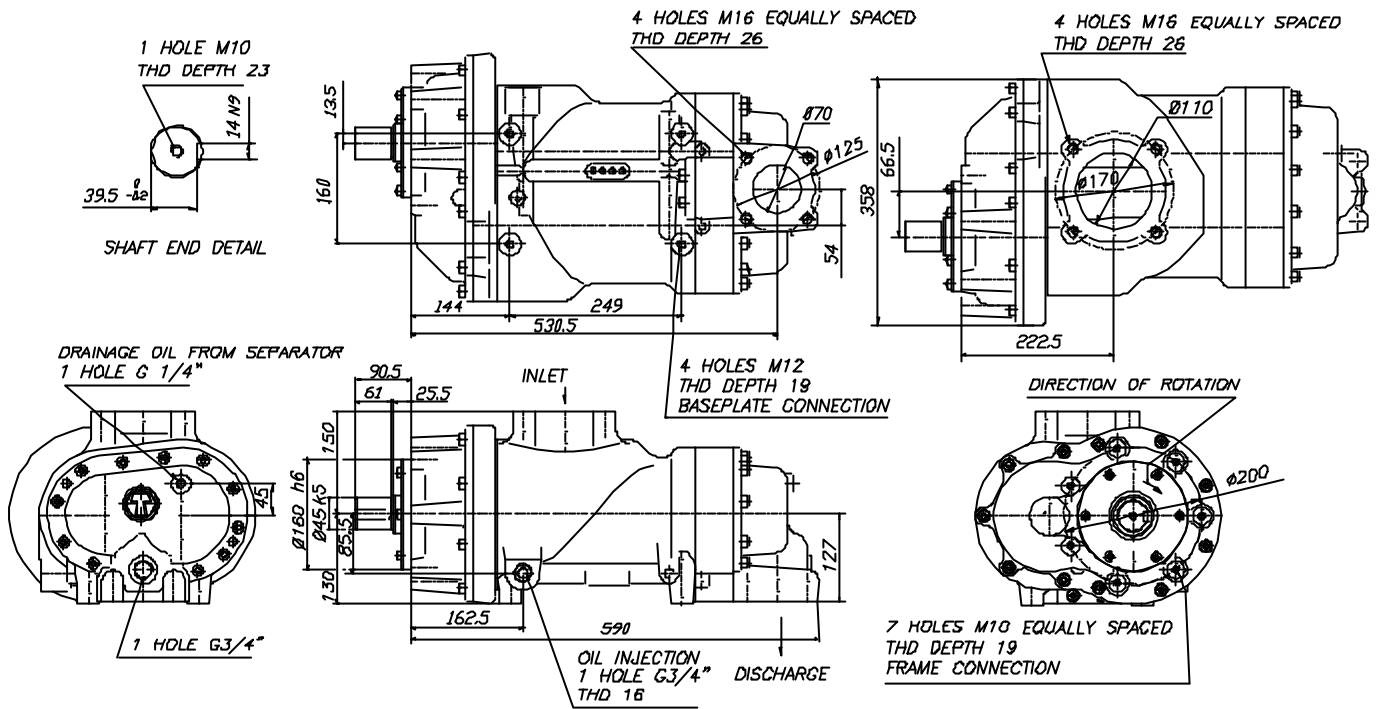
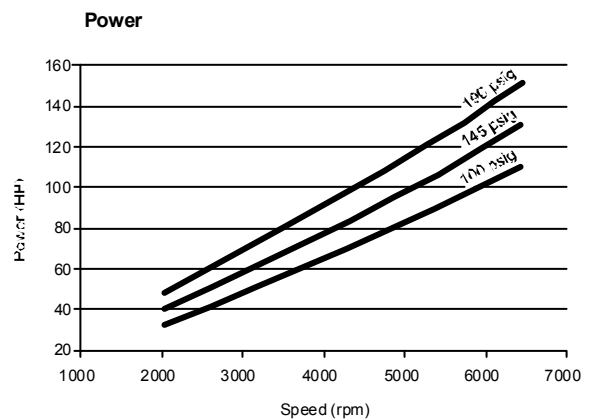
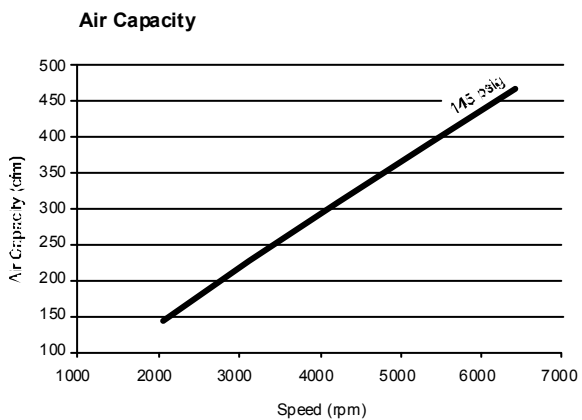
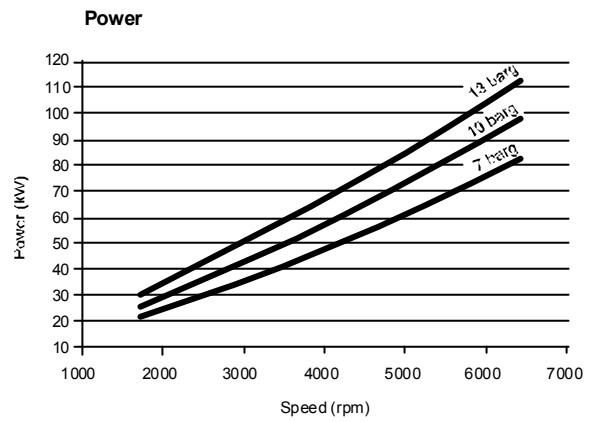
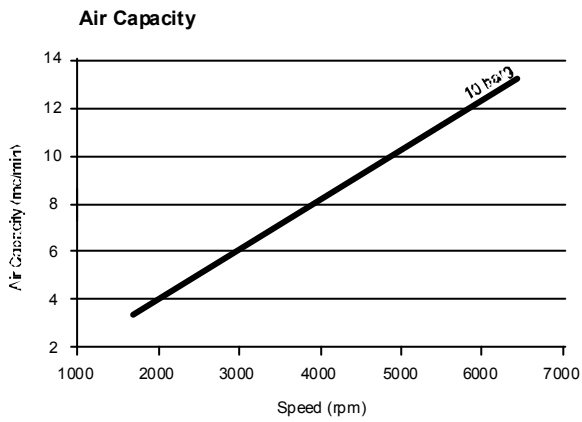


# SCA14G-R

## Outside view drawing



## Data Tables



Drive: Male  
 Lobe combination: 5/6  
 Male rotor size: 147,3 mm  
 Female rotor size: 122,6 mm  
 L/D: 1,70

Working pressure: min 3 barg/40 psig – max 15 barg/220 psig  
 Weight: 140 Kg – 309 lbs