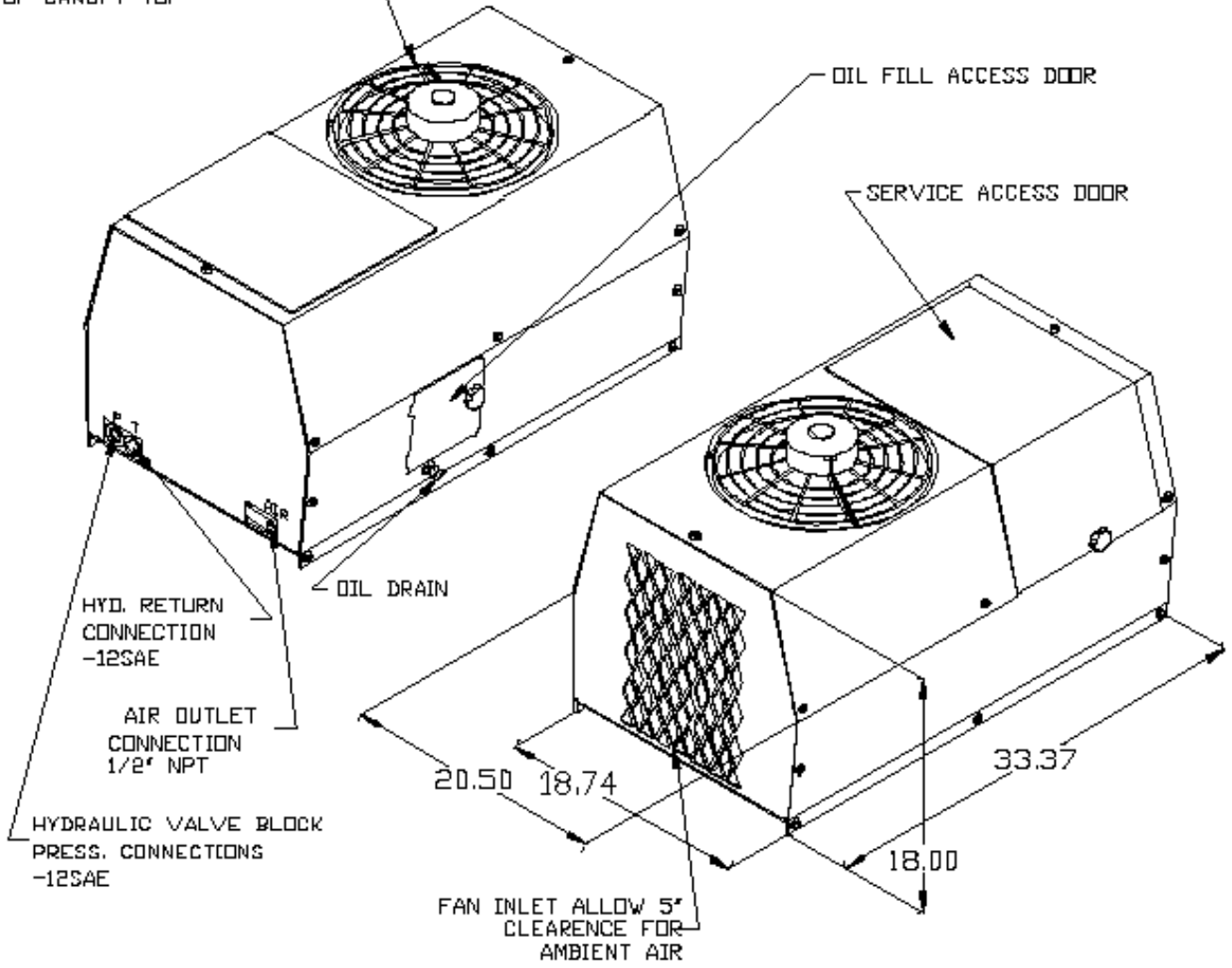


BOSS[®] *The Difference is Revolutionary™*

FAN EXHAUST, DO NOT BLOCK OR HAVE RESTRICTION WITHIN 12" OF CANOPY TOP



	C.F.M. @ 100 PSIG			
	20	25	30	40
H.P.	5.5	6.4	7.5	9.0
COMPR. R.P.M.	3850	4650	5650	6400
HYD. MTR. R.P.M.	1925	2325	2825	3200
HYD. MTR. G.P.M.	7.5	9.0	11.0	12.4
HYD. MTR. P.S.I.	1436	1382	1397	1413
HYD. MTR. TORQUE	189'#	182'#	176'#	186'#

	C.F.M. @ 150 PSIG			
	20	25	30	35
H.P.	6.6	8.1	9.5	12.2
COMPR. R.P.M.	3900	4800	5750	6625
HYD. MTR. R.P.M.	1950	2400	2875	3312
HYD. MTR. G.P.M.	7.6	9.3	11.2	12.9
HYD. MTR. P.S.I.	1702	1694	1664	1853
HYD. MTR. TORQUE	224'#	223'#	219'#	244'#

	C.F.M. @ 175 PSIG			
	20	25	30	32
H.P.	7.8	9.3	11.5	13.0
COMPR. R.P.M.	4050	4950	5875	6800
HYD. MTR. R.P.M.	2025	2475	2937	3400
HYD. MTR. G.P.M.	7.9	9.6	11.4	13.2
HYD. MTR. P.S.I.	1937	1891	1967	1922
HYD. MTR. TORQUE	255'#	249'#	259'#	253'#

M10022-001 9/30/03

HYDRAULIC MOTOR FLOW AND PRESSURE ARE THEORETICAL AND WILL VARY WITH DIFFERENT HYDRAULIC CIRCUIT SYSTEMS

Revised: 06/2005
Supersedes: 09/2003

Specifications subject to change without notice