

HYDRAULIC ROTARY SCREW SERIES

35 CFM ROTARY SCREW AIR COMPRESSOR



SERIES 35

BIG ENOUGH TO HANDLE THE TOUGHEST JOBS...

SMALL ENOUGH TO BE VERSATILE AND LIGHT WEIGHT!

BOSS [®] *The Difference is Revolutionary™*

HYDRAULIC ROTARY SCREW SERIES

A COMPACT, STRATEGICALLY DESIGNED SYSTEM, THE SERIES 35 INTEGRATES ALL MAJOR COMPONENTS ON A SINGLE FRAME.

FEATURES

A modular, belt-driven hydraulic drive rotary screw air compressor, the Series35 incorporates the latest in rotary screw technology to deliver instant pressure and continuous output - 35 CFM at up to 175 PSI. The encapsulated rotary screw is the true heart of the system. Air compression in the Series35 is achieved by two rotors, a male and a female, revolving within a single-part housing with extremely tight tolerances. Continuous turning of both rotors closes the inlet port, causing compression as the space in the lobes decreases. Upon engagement of the compressor, the Series35 provides instant-rated, constant CFM and PSI, while on a piston model, you may have to wait until the storage tank is filled before the rated output is achieved.

EASE OF MAINTENANCE AND SERVICE

With built-in access ports and a hinged canopy panel, virtually all components are accessible for maintenance and service. Other features, including a compressor oil filter and a self-contained separator element with a spin-on housing, reduce the time and costs associated with routine maintenance.

SIMPLE INSTALLATION AND FLEXIBLE CONFIGURATIONS

A hydraulic manifold block with relief and solenoid valves simplifies installation. The compact, strategically engineered design allows the compressor to fit just about anywhere on your crew truck's body.

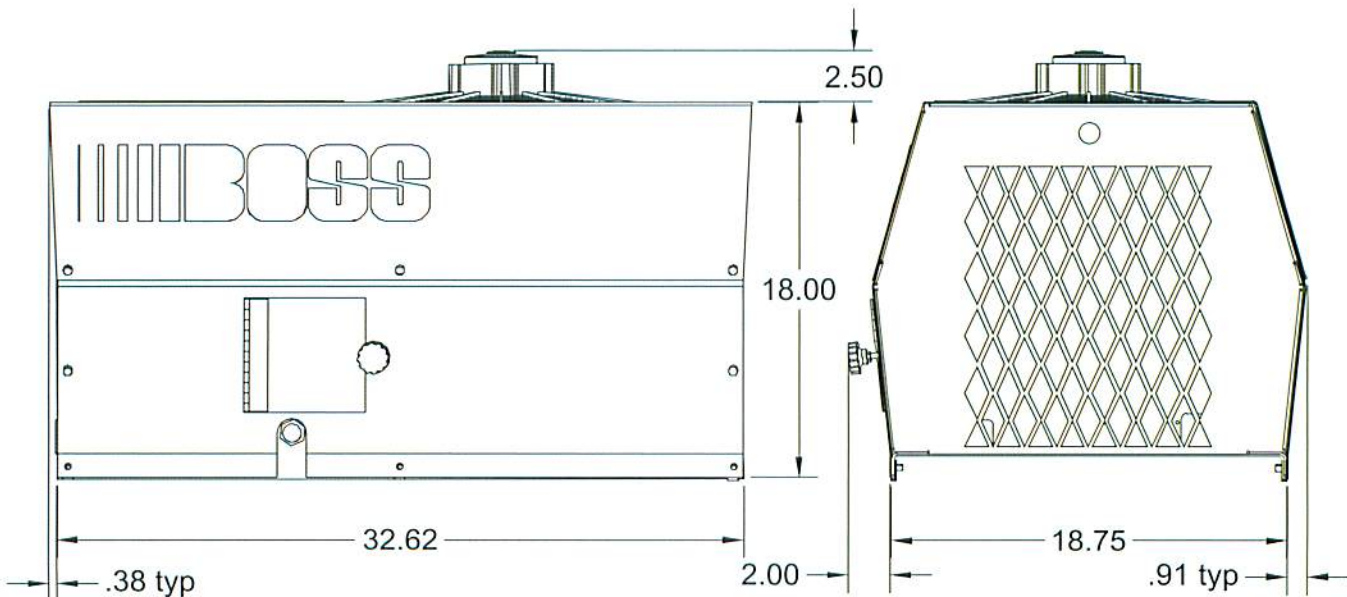
COMPREHENSIVE SYSTEM

The Series35 includes all major components - the air end, oil receiver tank, thermal valve, air inlet filter, and air pressure regulator - mounted on a single, common frame and enclosed in a metal canopy. The system also incorporates a hydraulic cooler in conjunction with the compressor cooler as standard equipment. A safety switch for high discharge temperature and a high pressure relief valve are standard equipment.

SPECIFICATIONS

SERIES35 CFM ROTARY SCREW AIR COMPRESSOR

Delivery @ 100 PSI	20 CFM	25 CFM	30 CFM	35 CFM
Hydraulic Fluid Required @ 2400 PSI Approx.	7.5 GPM	9.0 GPM	11.0 GPM	12.4 GPM
150 and 175 PSI options available. Consult your distributor for more information.				



DISTRIBUTED BY:

BOSS INDUSTRIES, INC.

1761 Genesis Drive LaPorte, IN 46350
Voice: 219.324.7776 • 1.800.635.6587
Fax: 219.324.7470
Electronic: www.bossair.com • email: boss@bossair.com